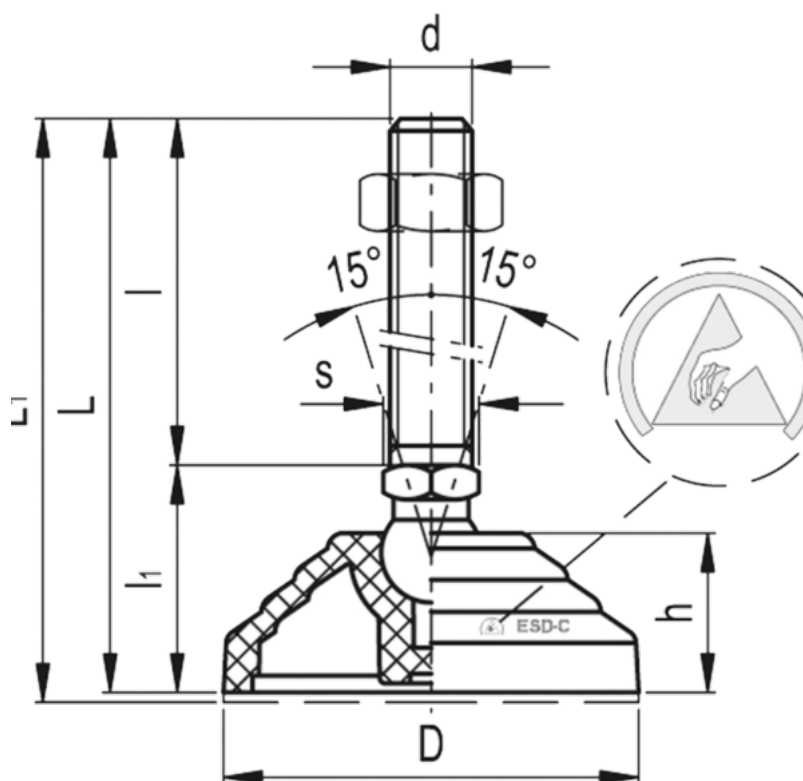


Article number: 2310305761ESD

Description: E+G Antistatic base for levelling elements  
LV.A-100-24-M24x158-ESD-C

## Measures



Articulation = 24  
D = 100  
d = M24  
h = 24  
l = -  
l1 = -  
L = 201  
Max load = 25000

s = 24  
Weight in (g) = 642